

Vacuum and Pressure Gauge

Product: Full Stainless Steel Vacuum and Pressure Gauge

Application: Process industry, Chemical/ Petro-chemical, Power Station, Mining, Food Production, Fire, etc

Special Features:

- Excellent Load-cycle stability and shock resistance
- All Stainless Steel Construction
- Liquid filled case for Application with High Dynamic pressure loads or vibrations
- Weather proof for Australian extreme UV, Temperature and Humidity

Specifications:

Size: 2.5" (63 mm) / 4" (100 mm) / 6" (150 mm)

Accuracy: ±1.6% of Full Scale for 2.5" (63 mm)
 ±1.0% of Full Scale for 4" (100 mm) / 6" (150 mm)

Operating Temperature:

Ambient: -20 °C to + 60 °C

Media: +200 °C Maximum without liquid filling
 +100 °C Maximum with liquid filling (Silicon Oil)

Ingress Protection: IP 65 as per EN60529 / IEC60529

Service Fluid: Compatible Gases and Liquids

Housing: Stainless Steel 304 Case and Bayonet Ring

Bourdon Tube: Stainless Steel 316L

Movement: Stainless Steel 304

Window: Instrument Glass

Liquid Filled: Dry / Glycerine / Silicon Oil

Pressure Connection: Stainless Steel 316L

Thread: 2.5" (63 mm): 1/4" BSPT
 4" (100 mm): 3/8" BSPT
 6" (150 mm) 3/8" BSPT

Note: We can Supply SS316L Adaptors.

Available Adaptors: 1/4"BSPTF to 1/4" NPTM
 1/4"BSPTF to 3/8"BSPTM
 1/4"BSPTF to 1/4"BSPPM
 3/8"BSPTF to 1/2"BSPTM / 1/2"NPTM
 3/8" BSPTF to 1/4"BSPTM

Dial: Aluminium with White Background

Scale Unit: kPa, bar, psi

Ranges: -100 kPa to 100000 kPa

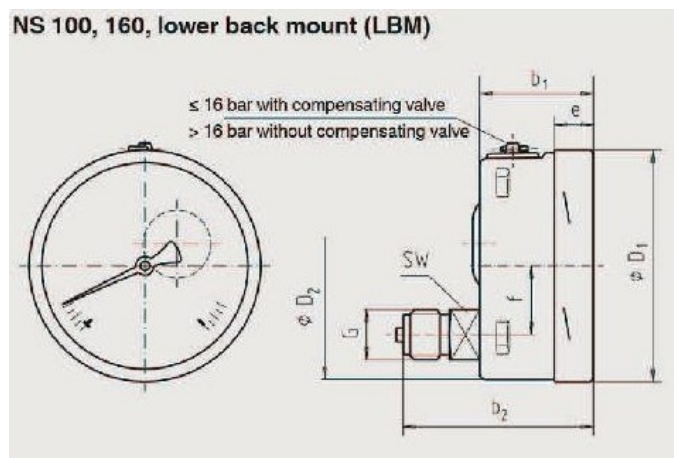
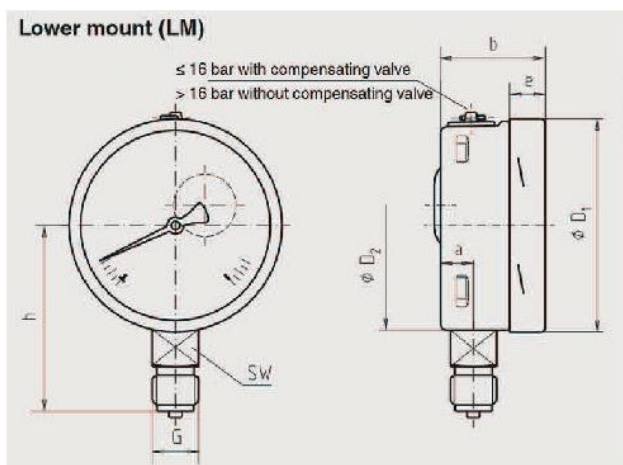


63 mm Pressure Gauge



100 mm Pressure Gauge

Dimensions in mm:



Diameter	Dimensions in mm											WEIGHT(Kg)	
	a	b	b1	b2	D1	D2	e	f	G	h±1	SW	Dry	FILLED
2.5"(63mm)	11	33	33	59	63.8	62	7	-	1/4	53	14	0.18	0.23
4"(100mm)	15	49	49	88	100.6	99	12	22	1/2	85	22	0.55	0.80
6"(160mm)	16.5	50.5	50.5	85	160.6	159	18	48	1/2	116	22	0.94	1.77

Zenith Sales and Calibrations Pty Ltd

Sydney:

Unit 22 / 9 Salisbury Rd

Castle Hill NSW 2154

Ph: 02 9680 8765

Melbourne:

19 / 17-19 Miles St

Mulgrave VIC 3170

Ph: 03 9562 0373

Email: info@zenithinstruments.com.au

Web: www.zenithinstruments.com.au